
TRAVELER®

FINE CHINA TOILET

OWNER'S MANUAL

500 *Plus* Series, 2000 Series, Traveler Lite® Toilets



13128 State Rt 226, P.O. Box 38
Big Prairie, Ohio 44611-0038 U.S.A.
SeaLand Hotline 1-800-321-9886
(8:00 a.m. - 5:00 p.m. ET)

TABLE OF CONTENTS

Important Information	2	Troubleshooting Guide	6
Toilet Model Identification	2	Traveler Lite® Parts List	7
How to Use	2	500 <i>Plus</i> Series Parts List	8
Installation	3	2000 Series Parts List	9
Pedestal and Pedal Cover Installation	3	Dimensional Specifications	10
Proper Cleaning and Maintenance	4	Ordering Parts	11
Winterizing	4	Parts Distributors	11
Deodorants and Special Tissue	5	Manufacturer's Limited Warranties	12
Service Tip	5		

IMPORTANT INFORMATION

1. Do not use chlorine or caustic chemicals, such as laundry bleach or drain opening types, in the system. These products damage the seals in toilets and dump valves.
2. Do not permit foreign objects (paper towels, paper cups, diapers, sanitary napkins, etc.) to be flushed through the toilet.
3. Mechanical seal toilets, like SeaLand's Traveler and Traveler Lite units, are designed to only discharge directly into a holding tank. Horizontal pipe runs as found in conventional residential or commercial plumbing systems cannot be accommodated.
4. Traveler toilet bowl and flush seals must be regularly cleaned and winterized according to "Proper Cleaning and Maintenance" and "Winterizing" procedures on page 4, or your warranty coverage may be voided.

TOILET MODEL IDENTIFICATION

The model identification label is located on the toilet base and will show the model number and serial number. Follow instructions for removing toilet pedestal cover in "Pedestal and Pedal Cover Installation" on page 3. Traveler Lite Model 110 identification label is on the back of the base. If label is not available, please refer to "Dimensional Specifications" on page 10 for toilet model identification.

SEALAND TECHNOLOGY, INC.

P.O. BOX 38, 13128 STATE RT 226 (800) 321-9886
BIG PRAIRIE, OH 44611 USA

MODEL NO. **000**

SERIAL NUMBER

000000

HOW TO USE

To prepare the Traveler toilet for use, check to be sure water supply to the toilet is connected. Turn on water supply and check system for leaks. Flush toilet and check for leaks.

To properly use the Traveler or Traveler Lite toilet, follow these simple instructions:

1. **To add water to the toilet**, lift or raise the flush lever until desired water level is reached. Generally, more water is required only when flushing solids.
2. **To flush toilet**, push lever all the way down until contents leave toilet bowl. Water flow pressures vary at different locations, therefore holding the flush lever down for 4-8 seconds may be required. We require a minimum flow to the toilet of two gpm (7.6 lpm) for proper rim and bowl wash.
3. Release flush lever by allowing it to snap back, which permits positive sealing around the flush ball.
4. A small amount of water should remain in bowl.

Note: Holding flush lever down longer than necessary results in excessive water usage.

INSTALLATION

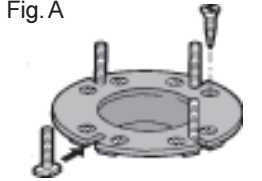
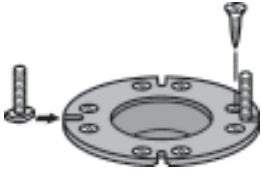
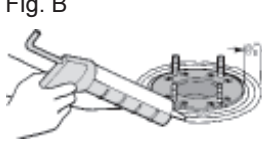
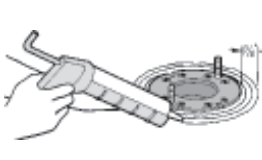
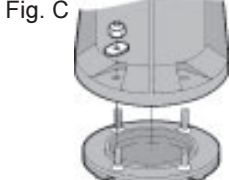
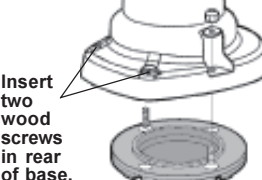

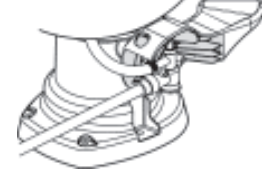
1. To replace an older toilet, turn off water supply to toilet. Disconnect water line at toilet water valve. Unscrew floor bolt nuts and remove toilet. Discard old floor seal and mounting bolts. The old floor flange may be used if it is in good condition and has four (4) bolt locations. [Only two bolts are required for Traveler Lite Model 110.]

NOTE: If old floor flange cannot be used and cannot be removed, please use a SeaLand Universal Mounting Kit, available from your SeaLand dealer.

2. When installing new floor flange, make certain that the toilet mounting bolts align properly with Traveler toilet mounting pattern.
3. Secure flange to floor using flat head screws through countersunk holes in flange. Insert floor bolts into slotted holes in flange (Figure A).
4. If toilet is being installed in a shower stall, apply a 1/4" thick by 3/4" wide bead of glazing compound around the circumference of the floor flange (Figure B).
5. Install seat assembly with hinges and screws provided. Traveler Models 510/511 will also accept handicap or household decorative seats. [Traveler Lite Models 110/111 seats are already installed.]
6. Position floor seal by pressing the floor bolts up through holes in the seal.
7. Set toilet in place with bolts protruding up through mounting holes in base (Figure C).
8. Install washers and hex nuts provided with toilet. Snug nuts down equally with standard 7/16" open end wrench. Remove excess glazing compound from around base in shower stall installation. For Traveler Lite Model 110, also install two wood screws provided in two holes at rear of base. (See Figure C).
9. Connect water supply line to water valve (1/2" MPT) inlet using appropriate fittings or an extension (Figure D). For Traveler Lite Model 110, you must remove water valve cover from flush pedal before connecting water supply line (see instructions below).

10. Turn on water supply and flush toilet to test for leaks.

11. For all models except Traveler Lite Model 110, attach pedestal and pedal covers to toilet base (see installation instructions below).

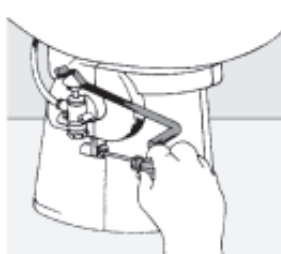
All Traveler toilets and Traveler Lite Model 111 (4-bolt connection)	Traveler Lite Model 110 (2-bolt connection)
Fig. A 	
Fig. B 	
Fig. C 	
Fig. D 	

PEDESTAL AND PEDAL COVER INSTALLATION

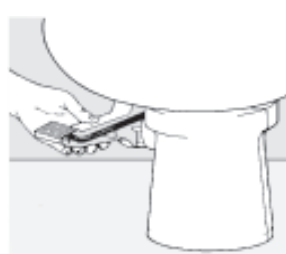
ALL TRAVELER TOILETS AND TRAVELER LITE MODEL 111:



1. Wrap pedestal cover around base so that it closes as shown.



2. Tall model – screw cover together. Short model – snap together.



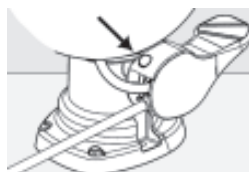
3. Slide pedal cover onto foot pedal rod.



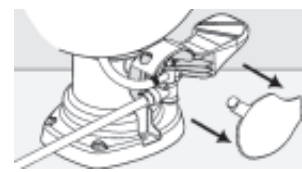
4. Secure side plate onto pedal cover with screws.

TRAVELER LITE MODEL 110:

1. Press button on back of pedal to release water valve cover.



2. Pull on bottom of cover to remove it. Cover snaps back into place.



PROPER CLEANING AND MAINTENANCE

The Traveler toilet should be cleaned regularly for maximum sanitation and operational efficiency. You can clean it just as you would a household toilet. **Do not use caustic chemicals, such as drain opening types, as they will damage the seals.**

BOWL CLEANING: For stubborn stains, use Brilliance™ liquid toilet bowl cleaner (Fig. A). It's manufactured by SeaLand especially for use with Traveler and Traveler Lite toilets. In certain locations where water is hard, a build-up of lime may dull the toilet bowl finish. Restore the shine with Brilliance cleaner. If you cannot find Brilliance in your area, contact SeaLand for your nearest dealer. If Brilliance is not available, you can also use Barkeepers Friend® cleanser. It is not necessary to vigorously scrub with either product. Please follow label instructions.

SEAL CLEANING: After an extended time, mineral deposits from hard water can build up under the edge of the rubber bowl seal, resulting in a slow leakdown of water from the bowl. To prevent this mineral build-up, periodically clean under the bowl seal with Brilliance cleanser (Fig. B).

1. Shut off water supply.
2. Apply cleanser onto a cleaning brush, open the flush ball by pressing on flush lever, and scrub under the seal. Make sure to push brush bristles between bottom of seal and top of flush ball surface to scrub all parts of seal that come into contact with flush ball.
3. Close ball and wait 2-3 minutes.
4. Open flush ball. Use brush and water to rinse away cleanser and loosened deposits.



Fig. A



Fig. B

WINTERIZING

At the end of each season, the Traveler or Traveler Lite toilet should be winterized for storage, by either draining or using potable water-safe antifreeze in the system.

To drain:

1. Thoroughly flush system with fresh water.
2. Empty holding tank.
3. Shut off water supply to toilet(s), and remove inlet waterline (Fig. C).
Do not remove brass cap on bottom of valve.
4. Press flush lever until all water is drained from toilet(s).

To use antifreeze:

1. Drain potable water tank.
2. Add freshwater antifreeze to potable water tank.
3. Flush potable water antifreeze and water mixture through toilet(s) and into the waste holding tank. Each installation is different, so amounts may vary. User discretion is required to assure adequate protection.
4. Empty holding tank.

NOTE: Use nontoxic antifreeze designated for potable water systems. (See vehicle owner's manual.)

CAUTION: Never use automotive-type antifreeze in freshwater systems.

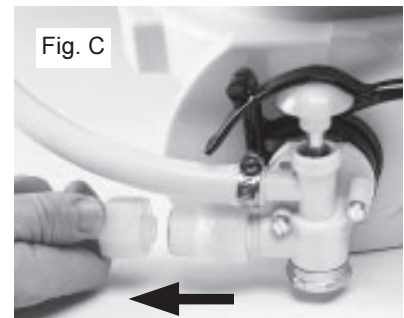


Fig. C

DEODORANTS AND SPECIAL TISSUE

Your Traveler toilet requires the regular addition of a deodorant product to reduce malodors and to help break down holding tank contents. Several factors should be considered in selecting a deodorant product.

Liquid or Dry: Liquid products obviously work more quickly by readily going into solution. Dry powder formulations, on the other hand, have the advantage of requiring less storage space and are less likely to leak if the package is inadvertently damaged.

Formaldehyde versus Non-Formaldehyde: SeaLand manufactures both types of deodorants. Generally speaking, formaldehyde formulas (such as SeaLand® brand) control odor very effectively at all temperatures and with all degrees of water hardness. Secure® brand, which is formaldehyde free and also manufactured by SeaLand, is similarly effective, but may cost a bit more.

How Much Deodorant and How to Add It: The deodorant is added directly into the toilet bowl, then flushed into the holding tank. Follow bottle or package instructions. Conditions of extremely warm weather, longer waste holding time and larger tank capacities may require more deodorant treatment. Also, to maintain optimum efficiency in odor control, the waste holding tank should be cleaned thoroughly at least once or more each season depending on use.

Why Not Use Household Toilet Paper in Your Traveler Toilet. Household tissues often contain adhesives which bond together the paper fibers from which the tissue is made. The adhesives prevent the tissue from breaking apart, and their use in “ultra-low flow” systems can cause system clogging. SeaLand tissue is especially designed for use in low water toilet systems. Its rapid dissolving properties minimize the amount of residual paper in the holding tank and allow deodorizers to work more efficiently.

SeaLand versus Other Brands: SeaLand Technology constantly strives to provide our system owners with effective products that have minimal environmental impact and good value. Many deodorant products do not measure up to our standards of performance and value.

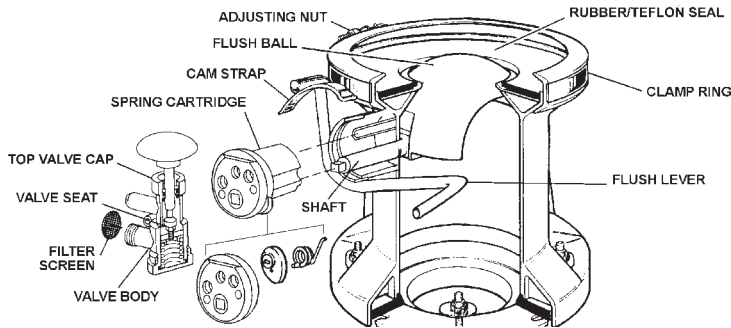
SeaLand® Dry Deodorant	SeaLand® Liquid Deodorant	Brilliance™ Cleaner	SeaLand® Liquid Deodorant	SeaLand® Tissue
				
Part No. 000606	Part No. 000208	Part No. 000016	Part No. 000832	Part No. 000404

SERVICE TIP

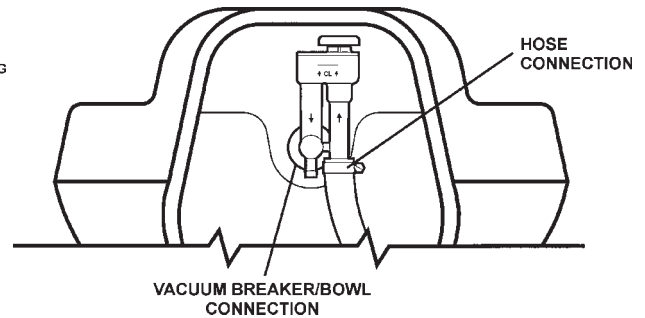
Checking for water leaks behind or under toilets or other appliances can make it difficult to locate the source. Dripping water at room temperature makes it difficult to feel wetness. Taking four or five sheets of toilet tissue and wiping all seams and waterline connections offers a simple means of locating the general area of the leakage. Start at the top of the unit since gravity will cause a leak to run downward. When the tissue comes in contact with the leaking water, it will immediately change its texture.

TROUBLESHOOTING GUIDE

BASE ASSEMBLY



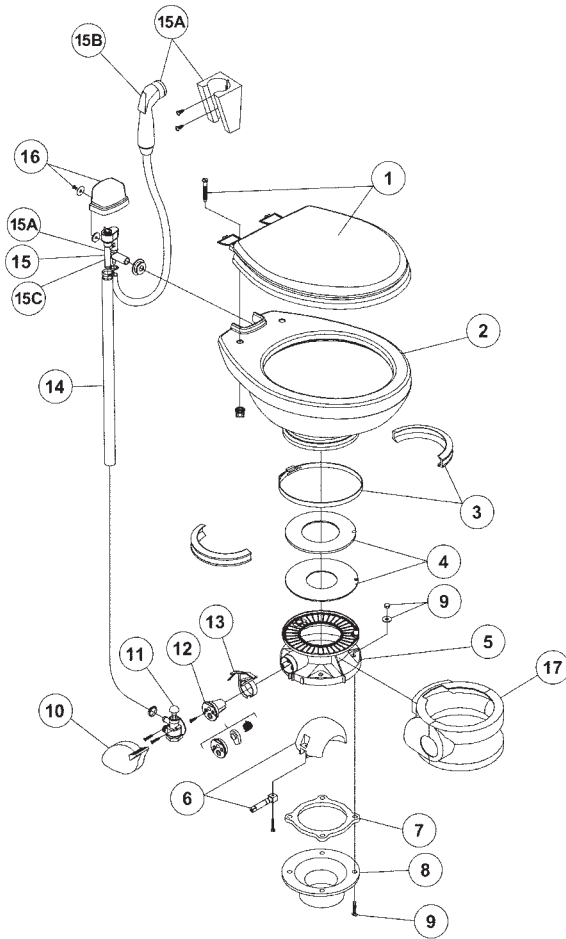
REAR VIEW, TOILET



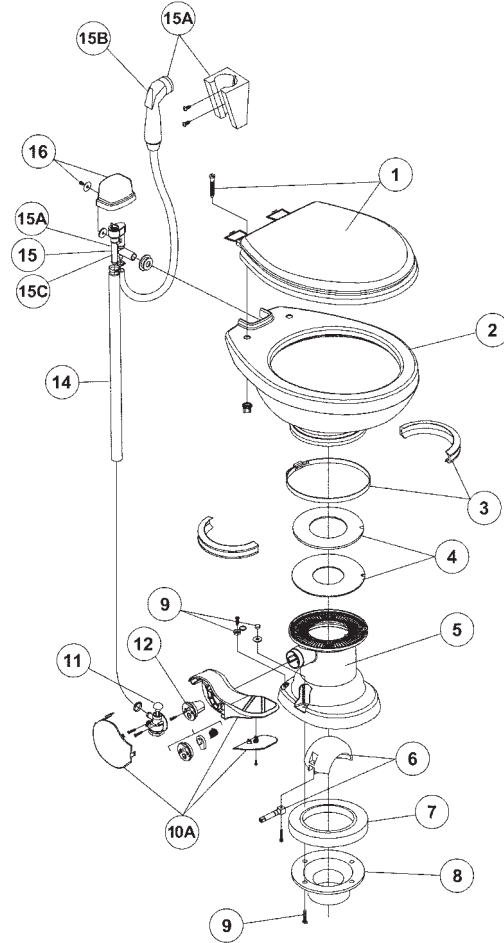
Problem	Possible Cause	Service Instructions
1. Toilet emits odor (flush ball closed).	a. No water in overflow trap (evaporated).	a. Add water through overflow holes.
2. Toilet emits odor (flush ball open).	a. Odor emitting from base of toilet. b. Plugged holding tank vent line.	a. Use SeaLand brand deodorants. b. Clear obstructions from vent line.
3. Water will not stay in bowl.	a. Loose clamp ring. b. Improper seal around flush ball due to dirt or debris on underside of Teflon® ball seal. c. Worn or damaged seal. d. Worn or damaged flush ball. e. Cracked half clamps.	a. Tighten clamp ring adjusting nut. b. Inspect flush ball and underside of Teflon® seal for foreign objects. c. Replace seal. d. Replace flush ball. e. Replace half clamps.
4. Plastic flush ball will not close completely.	a. Clamp ring is overtightened, causing too much tension on seal and flush ball. b. Weak or defective spring cartridge. c. Worn or damaged flush ball or shaft.	a. Loosen clamp ring. b. Check spring tension by letting up on flush lever suddenly. If lever does not snap back, replace spring cartridge. c. If lever snaps back but flush ball does not close completely, replace flush ball and shaft.
5. Water does not shut off in toilet (toilet overflows).	a. Dirt lodged in water valve seal. b. Cam strap is bent down, holding water valve open. c. Worn or defective water valve. d. Worn or defective spring cartridge.	a. Disassemble and clean water valve. b. Bend front of cam strap up about 1/16" (1.6mm). c. Replace water valve assembly. d. Replace spring cartridge.
6. Hand spray unit leaks water when toilet is flushed.	a. Decorative metal sleeve on spray nozzle is too long to allow the valve to securely close.	a. Remove the plug in the center of the spray nozzle. Loosen screw under plug 1/4 turn and replace plug.
7. Water does not enter toilet bowl properly.	a. Low water pressure. b. Water valve clogged.	a. Check incoming water pressure. b. Remove and clean filter screen located on inlet of water valve.
8. Water leaking from water valve.	a. Loose connection. b. Worn or defective water valve. c. Water line connection not seated properly. d. Stripped threads. e. Seal is worn or missing. f. Valve body cracked.	a. Tighten bottom cap, inlet fitting and outlet hose clamp. b. Replace water valve. c. Remove water line and assemble correctly. d. Replace water valve. e. Replace water valve. f. Replace water valve.
9. Water leaking from bottom of toilet base.	a. Toilet loose. b. Worn or defective toilet mounting floor seal. c. Worn or defective base. d. Worn or defective floor flange.	a. Tighten toilet mounting bolts. b. Replace floor seal between floor flange and toilet base. c. Replace base assembly. d. Replace floor flange.
10. Water leaking from rear of toilet bowl.	a. Loose hose connection. b. Loose vacuum breaker. c. Worn or defective vacuum breaker. d. Cracked or defective toilet bowl.	a. Tighten hose connections. b. Tighten vacuum breaker to bowl connection. c. Replace vacuum breaker. d. Replace toilet bowl.
11. Flush ball does not open completely. Low profile units only.	a. Flush ball interferes with floor flange.	a. Loosen mounting bolts and center toilet over flange. Replace floor flange with one of the following: 345889 3" MPT 345892 3" Socket 343765 3" Spigot

TRAVELER LITE® PARTS LIST

MODEL 111



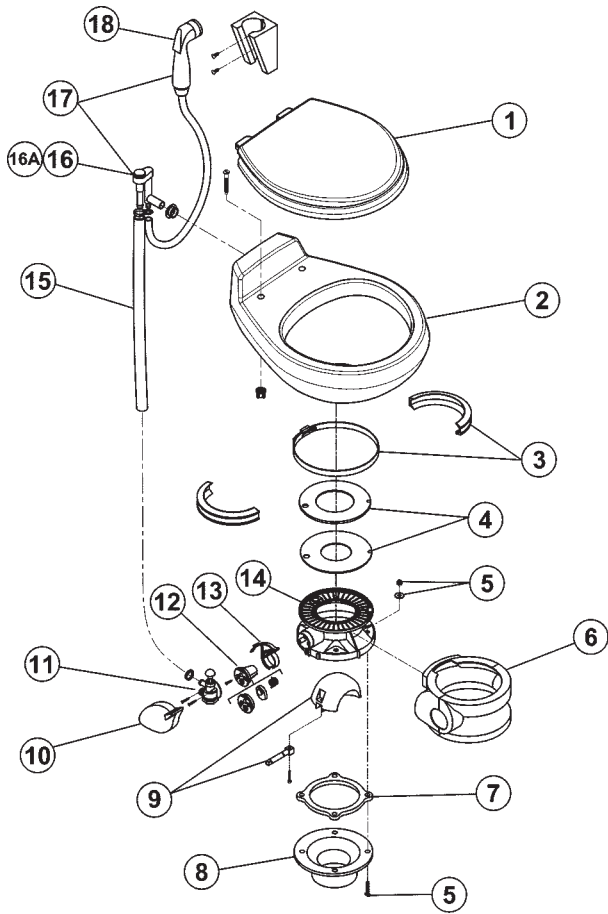
MODEL 110



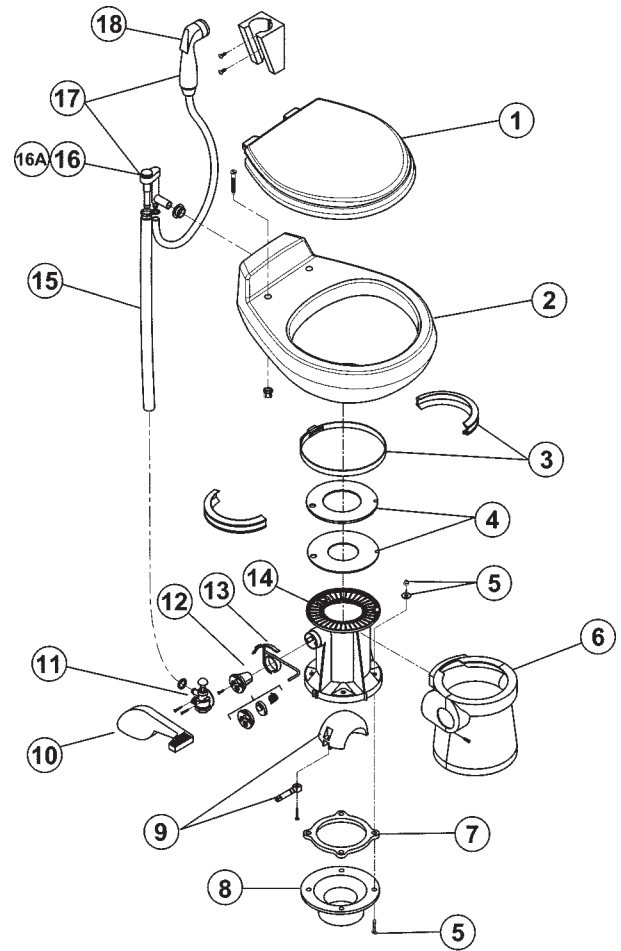
Item	111	110	Description	Item	111	110	Description
1	344088 344089	344088 344089	Seat Assembly, White Seat Assembly, Bone	9	310064	310794 310803	Floor Bolt Mounting Kit Floor Bolt Mounting Kit, White Floor Bolt Mounting Kit, Bone
2	310790 310791	310790 310791	China Bowl Kit, White China Bowl Kit, Bone	10	310117 310118		Pedal Cover Kit, White Pedal Cover Kit, Bone
3	310048	310025 310048	Ring & Half Clamp Kit, White Ring & Half Clamp Kit, Bone	10A		310682 310762	Flush Pedal Kit, White (incl. 12) Flush Pedal Kit, Bone (incl. 12)
4	316140	316140	Teflon® & Rubber Seal Kit	11	314349	314349	Water Valve Kit
5	310801 310802	310792 310793	Base Kit, White (includes 3, 4, 6, 7, 9, 10A, 11, 12) Base Kit, Bone (includes 3, 4, 6, 7, 9, 10A, 11, 12) Base Kit, White (includes 3, 4, 6, 7, 9, 10, 11, 12, 13, 17) Base Kit, Bone (includes 3, 4, 6, 7, 9, 10, 11, 12, 13, 17)	12	236096	310683	Spring Cartridge Kit
6	318162	310681	Ball, Shaft & Cartridge Kit	13	340825		Flush Lever
7	341549	343938	Floor Flange Seal	14	340177	340177	Supply Hose, Bone
8	345889 345892 343765	345889 345892 343765	Floor Flange Adapter, 3" MPT (sold separately) Floor Flange Adapter, 3" Socket (sold separately) Floor Flange Adapter, 3" Spigot (sold separately)	15	310687	310687	Vacuum Breaker Kit
				15A	319054	319054	Vacuum Breaker Kit w/ Spray
				15B	340683	340683	Hand Spray, White
				15C	230335	230335	Vacuum Breaker (used w/ Spray)
				16	310795 310796	310795 310796	Vacuum Breaker Cover Kit, White Vacuum Breaker Cover Kit, Bone
				17	310108 310109		Pedestal Cover Kit, White Pedestal Cover Kit, Bone

500 PLUS SERIES PARTS LIST

MODEL 511+



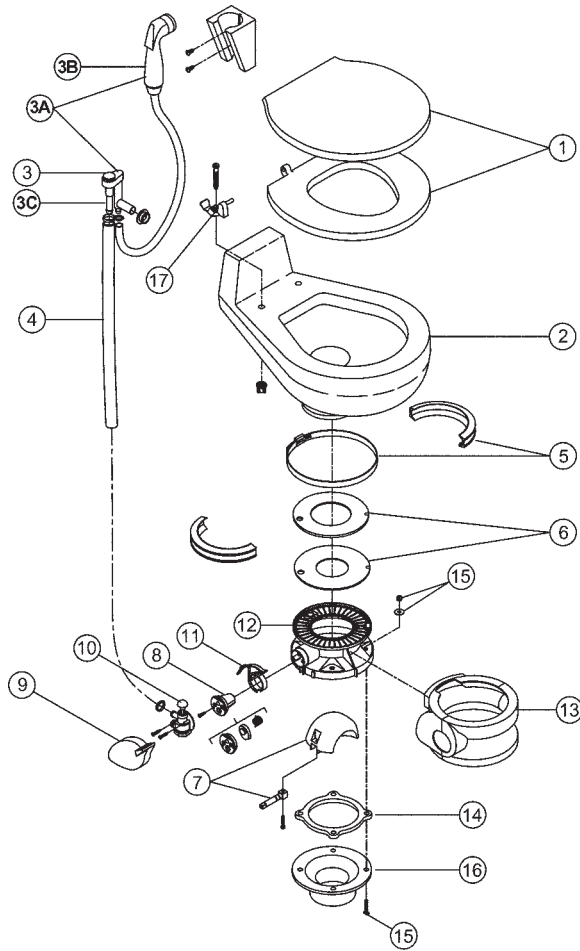
MODEL 510+



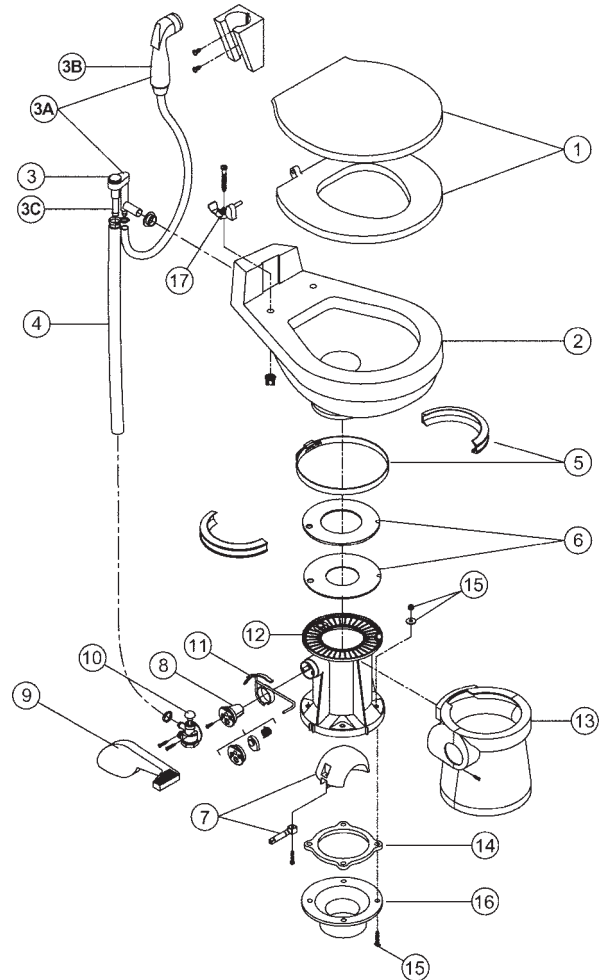
Item	511+	510+	Description	Item	511+	510+	Description				
1	343829	343829	Seat Assembly, White	9	318162	318162	Ball/Shaft/Cartridge Kit, White/Bone/Platinum				
	343831	343831	Seat Assembly, Bone		310177	310177	Ball/Shaft/Cartridge Kit, Ebony				
	343897	343897	Seat Assembly, Platinum		310188	310188	Ball/Shaft/Cartridge Kit, Teal				
	343901	343901	Seat Assembly, Ebony		10	310117	310114	Pedal Cover Kit, White			
	343899	343899	Seat Assembly, Teal			310118	310115	Pedal Cover Kit, Bone			
2	310739	310739	China Bowl Kit, White	310119		310116	Pedal Cover Kit, Platinum				
	310740	310740	China Bowl Kit, Bone	310593		310175	Pedal Cover Kit, Ebony				
	310741	310741	China Bowl Kit, Platinum	310596		310193	Pedal Cover Kit, Teal				
	310742	310742	China Bowl Kit, Ebony	11	314349	314349	Water Valve Kit				
	310743	310743	China Bowl Kit, Teal		12	236096	236096	Spring Cartridge Assembly			
3	310048	310048	Ring & Half Clamp Kit			13	343616	340873	Flush Lever		
	4	316140	316140				Teflon® & Rubber Seal Kit	310744	310578	Flush Lever/Spring Cartridge Ass'y.	
		5	310064				310064	Mounting Bolt Kit	14 *	310123	310120
			6	310108			310111	Pedestal Cover Kit, White		310124	310121
				310109	310112		Pedestal Cover Kit, Bone	310125		310122	Base Kit, Platinum
310110				310113	Pedestal Cover Kit, Platinum	310588	310169	Base Kit, Ebony			
310600	310173			Pedestal Cover Kit, Ebony	310620	310198	Base Kit, Teal				
310603	310203	Pedestal Cover Kit, Teal		15	340177	340177	Supply Hose				
7	341549	341549	Floor Flange Seal		16	316906	316906	Vacuum Breaker Kit			
	8	345889	345889			Floor Flange, 3" MPT (sold separately)	16A	230335	230335	Vacuum Breaker Kit (used with Hand Spray)	
		345892	345892			Floor Flange, 3" Socket (sold separately)		17	319054	319054	Vacuum Breaker with Hand Spray Kit
		343765	343765			Floor Flange, 3" Spigot (sold separately)			18	340683	340683
						341770				341770	Hand Spray, Ebony

2000 SERIES PARTS LIST

MODEL 2011

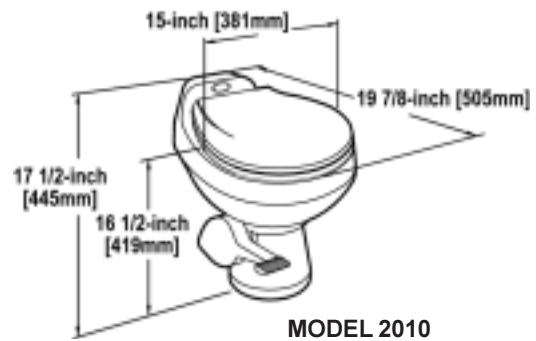
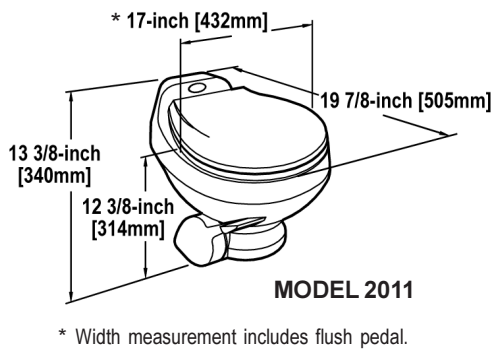
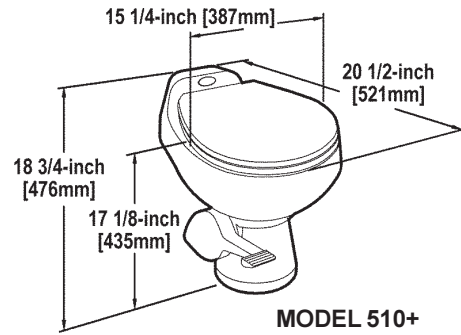
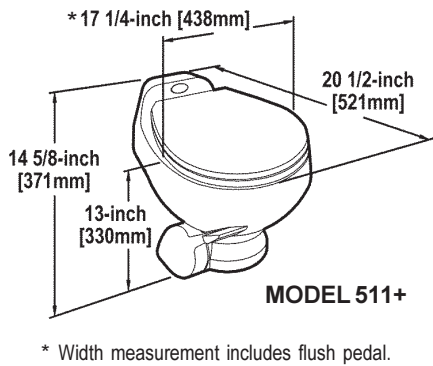
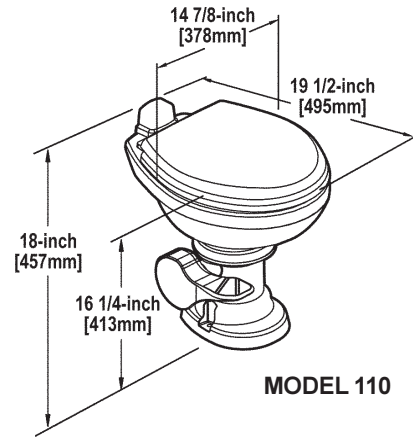
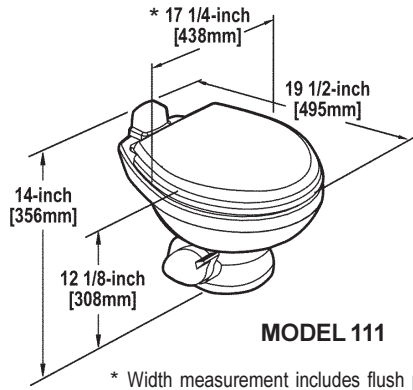


MODEL 2010



Item	2011	2010	Description	Item	2011	2010	Description	
1	340590	340590	Seat Assembly, White	10	314349	314349	Water Valve Kit	
	340591	340591	Seat Assembly, Bone		11	340825	340873	Flush Lever
	342867	342867	Seat Assembly, Ebony			310579	310578	Flush Lever & Spring Cartridge Kit
2	310615	310615	China Bowl Kit, White	12*	310123	310120	Base Kit, White	
	310616	310616	China Bowl Kit, Bone		310124	310121	Base Kit, Bone	
	310585	310585	China Bowl Kit, Ebony		310588	310169	Base Kit, Ebony	
3	316906	316906	Vacuum Breaker Kit	13	310108	310111	Pedestal Cover Kit, White	
3A	319054	319054	Vacuum Breaker with Spray Kit		310109	310112	Pedestal Cover Kit, Bone	
3B	340683	340683	Hand Spray, White		310600	310173	Pedestal Cover Kit, Ebony	
3C	230335	230335	Vacuum Breaker (used with Hand Spray)	14	341549	341549	Floor Flange Seal	
4	340177	340177	Supply Hose, Bone	15	310064	310064	Mounting Bolt Kit	
5	310048	310048	Ring & Half Clamp Kit	16	345889	345889	Floor Flange, 3" MPT (sold separately)	
6	316140	316140	Teflon® & Rubber Seal Kit		345892	345892	Floor Flange, 3" Socket (sold separately)	
7	318162	318162	Ball/Shaft/Cartridge Kit, White/Bone		343765	343765	Floor Flange, 3" Spigot (sold separately)	
	310177	310177	Ball/Shaft/Cartridge Kit, Ebony	17	342130	342130	Seat Hinge Hardware, White	
8	236096	236096	Spring Cartridge Assembly		342131	342131	Seat Hinge Hardware, Bone	
9	310117	310114	Pedal Cover Kit, White					
	310118	310115	Pedal Cover Kit, Bone					
	310593	310175	Pedal Cover Kit, Ebony					

DIMENSIONAL SPECIFICATIONS



All dimensions may vary \pm 3/8-inch (10mm).

ORDERING PARTS

SeaLand Technology is ready to assist you in the event service is required. Before calling, please have the following information available. Your cooperation in having this information ready is appreciated and allows us to better meet your needs.

1. Toilet Model Number
2. Serial Number
3. Part Number, Description and Quantity (See Parts List.)

PARTS DISTRIBUTORS

We have a strong, worldwide network to assist in servicing and maintaining your Traveler toilet. For the name of an Authorized Service Center near you, please call from 8:00 a.m. to 5:00 p.m. (Eastern Time) Monday through Friday. Or e-mail us at sealand@sealandtechnology.com.

Telephone: 1-800-321-9886 USA and Canada

330-496-3211 International

Fax: 330-496-3097 USA and Canada

330-496-3220 International

You can also contact or have your local dealer contact the Parts Distributor in your area for quick response to your replacement parts needs. They carry a complete replacement parts inventory for this SeaLand product line.

U.S.A. MASTER SANITATION DISTRIBUTORS

U.S.A. – North Central (IL, IN, KY, MI, OH)

Midwest Marine Supply
24300 Jefferson Ave.
St. Clair Shores, MI 48080
Tel: 810-778-8950
800-860-1540
Fax: 810-778-6108
Contact: Bob Kennedy

U.S.A. - Northeast (CT, DE, DC, MA, MD, ME, NH, NJ, NY, PA, RI, VA, VT, WV)

Northeast Marine Sanitation
69 Florida Street
Farmingdale, NY 11735
Tel: 631-752-7606
800-352-4323
Fax: 631-752-7615
888-283-7606
E-mail: northeast@northeastsanitation.com
Contact: Mike Starito

U.S.A. - Northwest (AK, ID, MT, NE, OR, WA)

Marine Sanitation, Inc.
1900 N. Northlake Way, Suite 121
Seattle, WA 98103
Tel: 206-633-1110
800-624-9111
Fax: 206-633-0317
E-mail: marinesan@minespring.com
Contact: Ric Kolb

U.S.A. - South Central (AR, KS, LA, MO, MS, NM, OK, TX)

AER Supply
P.O. Box 349
2301 Nasa Road #1
Seabrook, TX 77586
Tel: 281-474-3276
800-767-7606
Fax: 281-474-2714
E-mail: rsmiller@aersupply.com
Contact: Richard Miller

U.S.A. - Southeast (AL, FL, GA, NC, PR, SC, TN, VI)

Environmental Marine
111 S.W. 23rd Street, Suite A
Fort Lauderdale, FL 33315
Tel: 954-522-2626
800-522-2656
Fax: 954-522-5152
E-mail: hopto91@aol.com
Contact: John or Jill Hopkins

U.S.A. - Southwest (AZ, CO, NV, UT, CA-south)

Ardemco Marine Specialties
778 West 17th Street
Costa Mesa, CA 92627
Tel: 949-722-7672
800-253-0115
Fax: 949-642-9582
E-mail: ardemco@earthlink.net
Contact: Rick Glasser

U.S.A. – Upper Midwest (IA, KS, MN, MO, ND, WI, WY, SD)

PowerHouse Marine
518 Logan
La Crosse, WI 54603
Tel: 608-784-9580
888-752-4539
Fax: 608-784-8422
E-mail: tuckski@rconnect.com
Contact: Dave Tucker

U.S.A. – Northern California

Fox Marine
2250 Zanker Road, Unit D
San Jose, CA 95131
Tel: 408-451-9055
800-826-2873
Contact: Charlie Barker

CANADA DISTRIBUTORS

Canada – East

Eastern Marine Systems, Inc.
12-A Leslie Street
Toronto, Ontario M4M 3H7
Tel: 416-465-1668
888-764-1111
Fax: 416-465-2098
E-mail: info@eastmar.com
Contact: Paul Gales

Canada – West

Western Marine Company
1494 Powell Street
Vancouver, BC V5L 5B5
Tel: 604-253-7721
800-663-0600
Fax: 604-253-2656
800-663-6790
E-mail: sales@westernmarine.com
Contact: Bill Falk

MANUFACTURER'S TWO-YEAR AND TEN-YEAR LIMITED WARRANTIES

SeaLand Technology warrants, to the original purchaser only, that this Traveler® or Traveler Lite® gravity discharge toilet, if used for personal, family or household-like purposes, is free from defects in material and workmanship for a period of two (2) years from the date of purchase.

SeaLand Technology also warrants, to the original purchaser only, that the ceramic portion of the toilet bowl will not discolor, stain, scratch or craze for a period of ten (10) years if used for personal, family or household-like purposes, and is regularly cleaned as described in the product's owner's manual.

If this SeaLand Technology product is placed in commercial or business use, it will be warranted, to the original purchaser only, to be free of defects in material and workmanship for a period of ninety (90) days from the date of purchase.

SeaLand reserves the right to replace or repair any part of this product that proves, upon inspection by SeaLand Technology, to be defective in material or workmanship. All labor and transportation costs or charges incidental to warranty service are to be borne by the purchaser-user.

EXCLUSIONS

IN NO EVENT SHALL **SEALAND TECHNOLOGY** BE LIABLE FOR INCIDENTAL OR CONSEQUENTIAL DAMAGES, FOR DAMAGES RESULTING FROM IMPROPER INSTALLATION, OR FOR DAMAGES CAUSED BY NEGLIGENCE, ABUSE, ALTERATION, OR USE OF UNAUTHORIZED COMPONENTS. THIS INCLUDES FAILURES WHICH MAY RESULT FROM NOT FOLLOWING THE WINTERIZATION OR CLEANING PROCEDURES AS DESCRIBED IN THE OWNER'S MANUAL. ALL IMPLIED WARRANTIES, INCLUDING ANY IMPLIED WARRANTY OF MERCHANTABILITY OR FITNESS FOR ANY PARTICULAR PURPOSE, ARE LIMITED TO A PERIOD OF ONE (1) YEAR FROM DATE OF PURCHASE.

IMPLIED WARRANTIES

No person is authorized to change, add to, or create any warranty or obligation other than that set forth herein.

Implied warranties, including those of merchantability and fitness for a particular purpose, are limited to one (1) year from the date of purchase for products used for personal, family or household-like purposes, and ninety (90) days from the date of purchase for products placed in commercial or business use.

OTHER RIGHTS

Some states do not allow limitations on the duration of an implied warranty, and some states do not allow exclusions or limitations regarding incidental or consequential damages; so, the above limitations may not apply to you. This warranty gives you specific legal rights, and you may have other rights which vary from state to state.

To obtain warranty service, first contact your local dealer from whom you purchased this product.



The first choice in marine and RV sanitation.

13128 State Rt 226, PO Box 38, Big Prairie, OH 44611-0038 USA
SeaLand Customer Service
1-800-321-9886
330-496-3211 (8:00 a.m.-5:00 p.m. ET)
Fax: 330-496-3097
www.sealandtechnology.com

® Registered; ™ Trademark of SeaLand Technology, Inc.
® Barkeepers Friend is a trademark of Servaas Laboratories.
® Teflon is a registered trademark of Du Pont Co.
® Taylor★Made is a registered trademark of Nelson A Taylor Co., Inc.
The Taylor Made Group logo is a trademark of Taylor Made Group, Inc.
© 2001 SeaLand Technology, Inc.